



SINCE 1975



Spreading
Healthy Smile
Globally



**MILK COOLING TANK
CLOSED TYPE**

Associated Dairyfab's premium product line is Milk cooling tanks. Backed by decades of know how and state of the art manufacturing setup; ADFL tanks have hygienic design to ensure good milk quality & guarantee durability over extensive period of use. Tanks have innovative characteristics worthy of meeting all industrial standards and are made of ecofriendly materials.

TANK

- Vertical open type tank and Horizontal cylindrical closed type tank.
- AISI 304 Stainless steel inner and outer vessel.
- Smooth inner sides, rounded angles, perfectly polished welding.
- Adjustable legs for uneven floors.
- Bottom designed to ensure total drainage of milk.
- Safety design of Evaporator, Crash test at 65 Bar.
- Uniform insulation with precisely controlled infusion of high density environment friendly polyurethane foam.
- High precision stainless steel dipstick (AISI 304) for easy and direct volume reading in mm.
- Manhole with AISI 304 SS close fitting cover with locking provision.
- Butterfly valve outlet with locking & sampling provision.

REFRIGERATING PLANT

- Direct expansion.
- No freezing of milk, even at low filling.
- **Available with all** refrigerant.

Lid without internal screws and bolts



SS springs for the opening, closing and keeping the lid steady



Specially push-out and rounded manhole



HEAT RECOVERY UNIT



Available in
200 to
700 ltrs.

- Cost saving due to higher cooling efficiency.
- Performance as per class 2 All ISO 5708 standard.

ELECTRICALS

Milk tank controller manages following functions-

- Milk temperature control.
- Milk temperature digital display
- Agitation program.
- Compressor start-up program.
- Extra protection against uneven voltage fluctuations for rural areas.
- Electrical supply-
Single phase 220 volt 50 Hz. or
Three phase 415 volt 50 Hz.

(Optional) for closed type tank

- Automatic C.I.P. system programmed through controller with five stage washing cycle.
 - Individual peristaltic pumps for detergent.
 - Higher efficiency of washing due to new design of spray system.
- Digital milk volume measurement

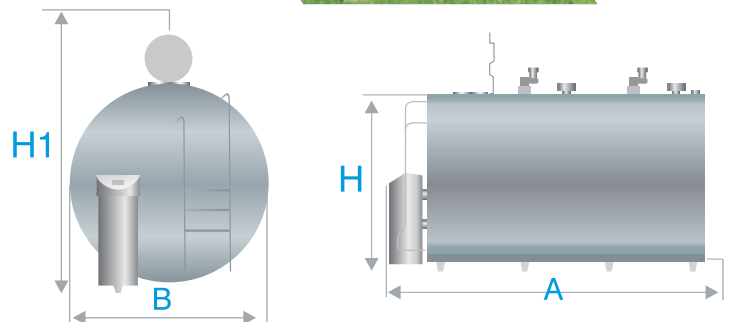


MILK COOLING TANK CLOSED TYPE

TECHNICAL SPECIFICATIONS :

Type	A	B	H	H1
1000	2540	1010	1200	2050
2000	2540	1380	1550	2400
2500	3010	1380	1550	2400
3000	3460	1380	1550	2400
4000	3120	1745	1900	2750
5000	3460	1745	1900	2750
6000	4010	1745	1900	2750
8000	3930	2050	2230	3050
10000	4950	2050	2230	3050
12000	4610	2300	2230	3050
15000	6500	2300	2230	3050

DIMENSIONS IN MM



ASSOCIATED DAIRYFAB PVT. LTD.

ADFL is one of the largest manufacturer of milk cooling solutions. We truly understand Indian dairy farmers and have two decades of experience. Due to high quality of our products today we are leading supplier to International market. We are devoted for development of dairy industry through continuous research and enriching livelihood of dairy farmers by offering quality products at reasonable price.



Arial View Of Associated Dairyfab Pvt. Ltd.

OUR OTHER QUALITY PRODUCTS



SS & Aluminium Milkcan



Milk Collection Accessories

OUR NEW EXPERTISE SERVICES

- Milk storage tanks
- Milk Processing lines
- Compact Pasteuriser
- Complete milk reception modules



ASSOCIATED DAIRYFAB PVT. LTD.

Gat No. 88/1, Ajanta Road, at post Chincholi, Dist. Jalgaon - 425 003. India. Tel. : +91-257-2211210, 2211700,
Fax : +91-257-2210950. E-mail : kotharigroup@kkcans.net